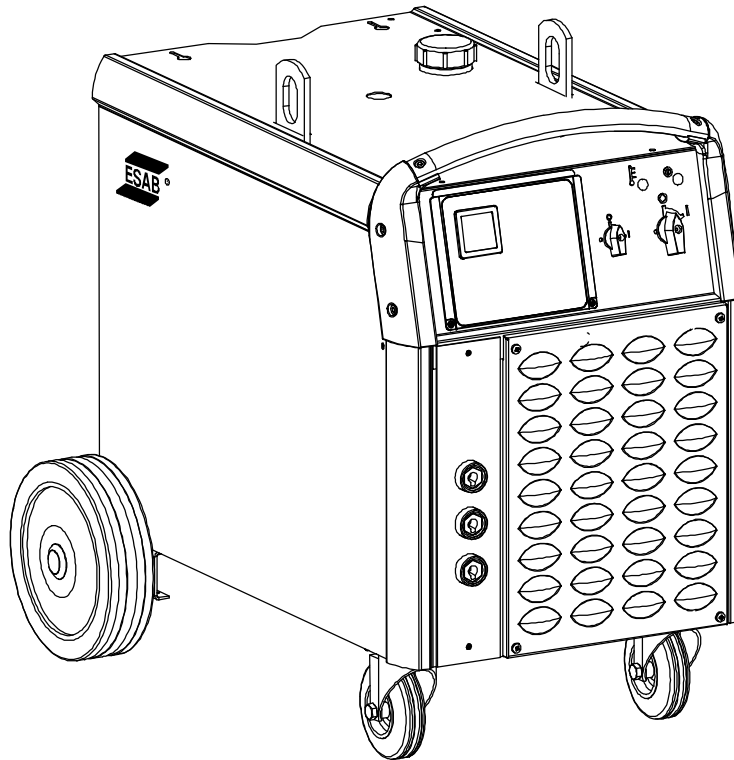


**Spare parts list**

**Valid for serial no. 217/215-xxx-xxxx**

**Ordering number**

0349 302 242	ESABMig 400t	400V / 415V, 3~50Hz
0349 302 243	ESABMig 400t	230V / 400V / 415V / 500V 3~50Hz, 230V / 440V / 460V 3~60Hz
0349 302 244	ESABMig 400tw	400V / 415V, 3~50Hz; with water cooler
0349 302 245	ESABMig 400tw	230V / 400V / 415V / 500V 3~50Hz, 230V / 440V / 460V 3~60Hz; with water cooler
0349 302 246	ESABMig 500t	400V / 415V, 3~50Hz
0349 302 247	ESABMig 500t	230V / 400V / 415V / 500V 3~50Hz, 230V / 440V / 460V 3~60Hz
0349 302 248	ESABMig 500tw	400V / 415V, 3~50Hz; with water cooler
0349 302 249	ESABMig 500tw	230V / 400V / 415V / 500V 3~50Hz, 230V / 440V / 460V 3~60Hz; with water cooler
0349 303 728	ESABMig 500tw	400V / 415V, 3~50Hz; with water cooler, with circuit breaker

Spare parts are to be ordered through the nearest ESAB agency. Kindly indicate type of unit, serial number, denominations and ordering numbers according to the spare parts list.

Maintenance and repair work should be performed by an experienced person, and electrical work only by a trained electrician. Use only recommended spare parts.

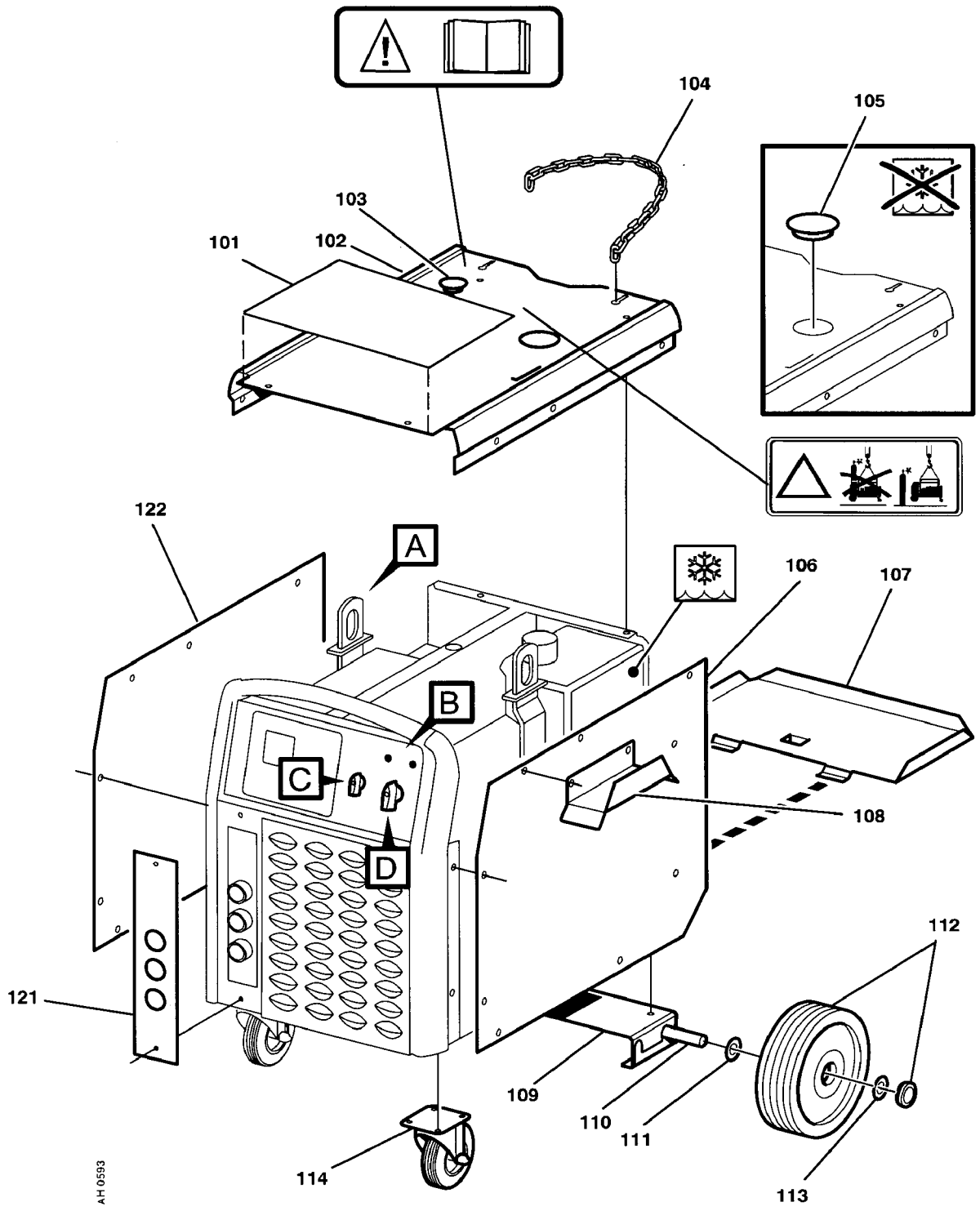
Rights reserved to alter specifications without notice.

# ESABMig 400t/500t

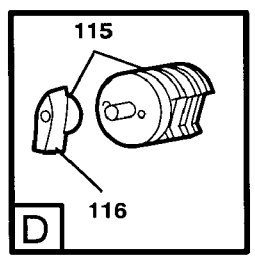
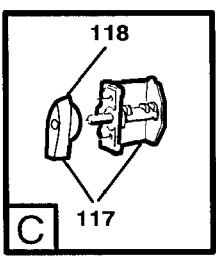
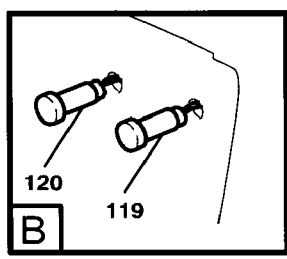
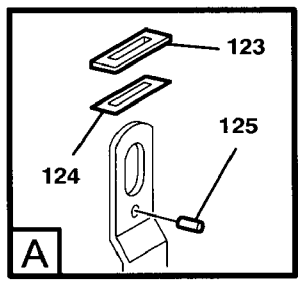
(A) = accessory

C = component designation in the circuit diagram

Item	Qty	Ordering no.	Denomination	Notes	C
101	1	0349 302 296	Rubber mat		
102	1	0349 302 264	Cover		
103	1		Blind plug	Ø 31	
104	1	0321 173 001	Securing chain	L=700	
105	1		Blind plug	Ø 66	
106	1	0349 302 265	Side panel with text	Right	
107	1	0349 302 267	Shelf		
108	1		Holder (A)	For futher information see page	
109	1	0349 302 268	Clamp		
110	1	0469 516 005	Shaft		
111	2	0215 100 037	Washer	Ø 36/21 x 3mm	
112	2	0469 872 001	Wheel	Ø 250mm	
113	2	0192 859 126	Locking washer		
114	2	0349 304 853	Link wheel	Ø 125 mm h=150mm	
115	1	0349 302 464	Switch		
116	1	0349 302 306	Knob		
117	1	0349 302 305	Switch	Only ESABMig with water cooler	
118	1	0349 302 253	Knob	Only ESABMig with water cooler	
119	1	0369 733 007	Signal lamp	42 VAC, white	
120	1	0369 733 005	Signal lamp	Yellow	
121	1	0349 302 269	OKC plate	Yellow	
122	1	0349 302 266	Side panel with text	Left	
123	2	0468 797 001	Seal		
124	2	0468 796 001	Support plate		
125	2	0211 103 005	Roll pin	Ø 8x28	



AH 0593

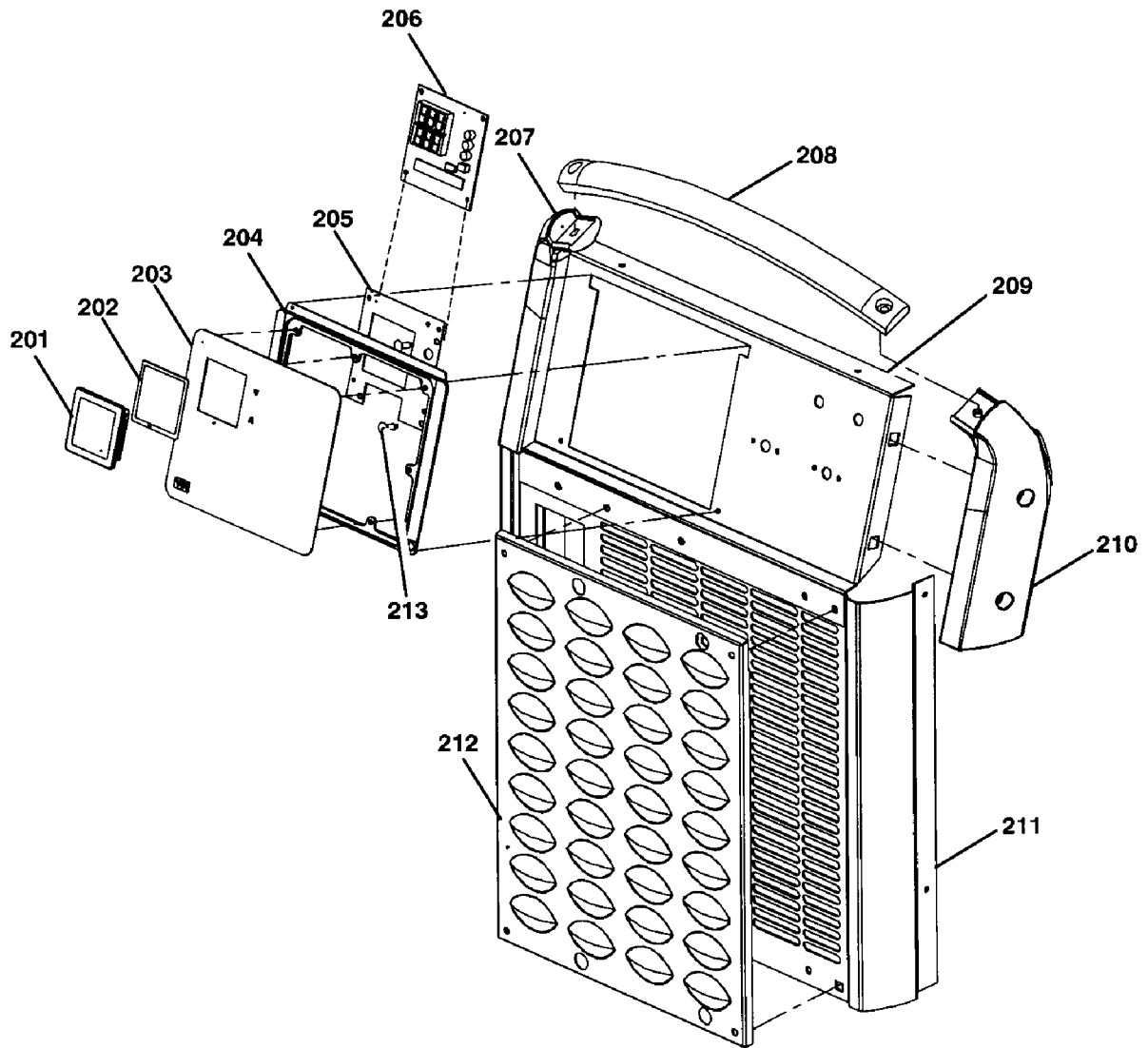


# ESABMig 400t/500t

(A) = accessory

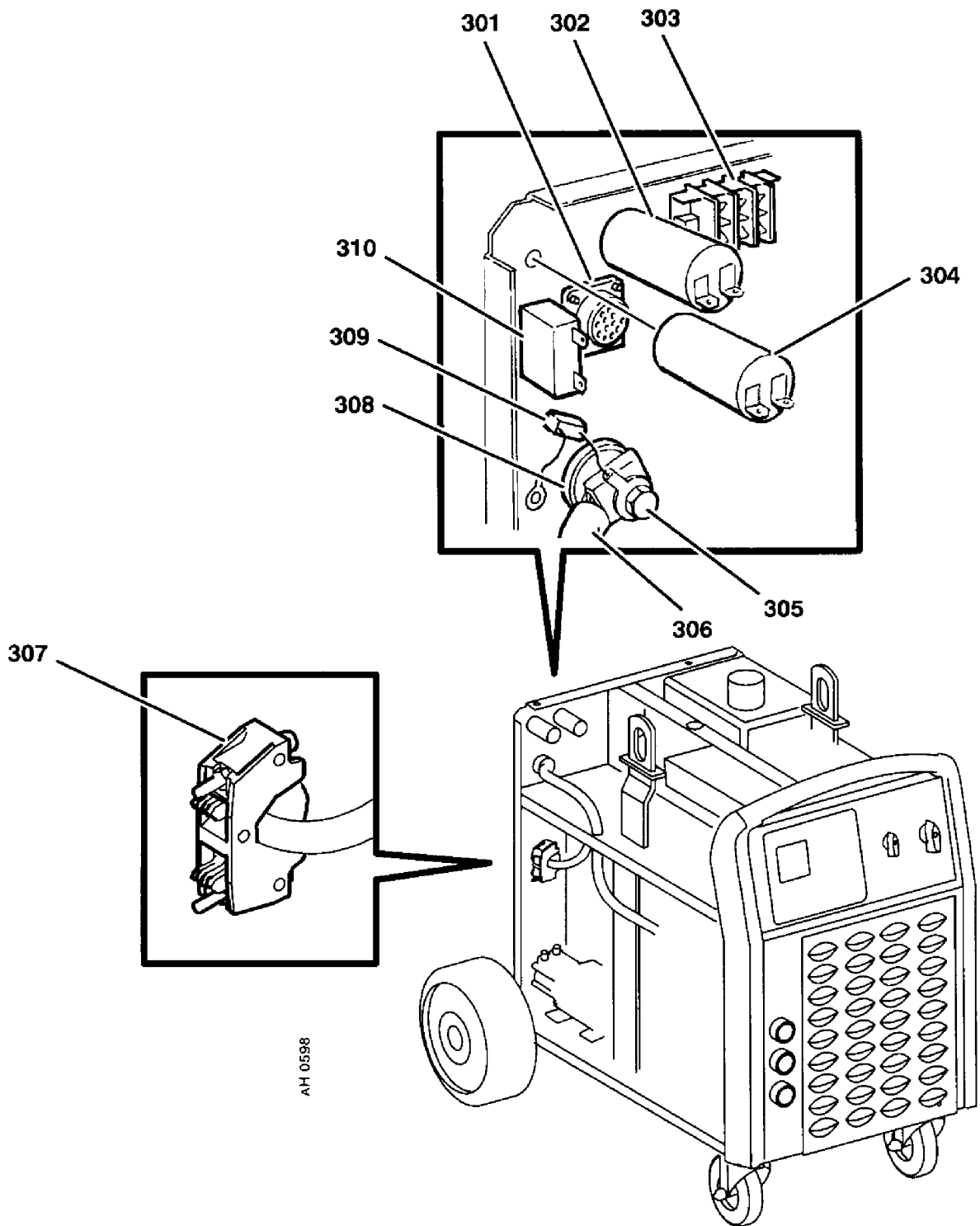
C = component designation in the circuit diagram

Item	Qty	Ordering no.	Denomination	Notes	C
201	1	0455 172 001	Glass		
202	1	0455 174 001	Seal		
203	1	0349 302 286	Panel		
204	1	0459 118 002	Protection frame		
205	1	0349 302 287	Plate		
206	1		Circuit-board (A)	Included in Digital instrument	
207	1	0349 302 283	Plate right corner		
208	1	0349 302 284	Handle		
209	1	0349 302 281	Upper front panel	With text Only for ESABMig 400t and ESABMig 500t	
	1	0349 302 288	Upper front panel	With text Only for ESABMig 400tw and ESABMig 500tw	
210	1	0349 302 282	Plate left corner		
211	1	0349 302 280	Lower front plate		
212	1	0349 302 285	Grill		
213	3	0455 226 040	Spacer (A)		



**ESABMig 400t/500t****(A) = accessory****C = component designation in the circuit diagram**

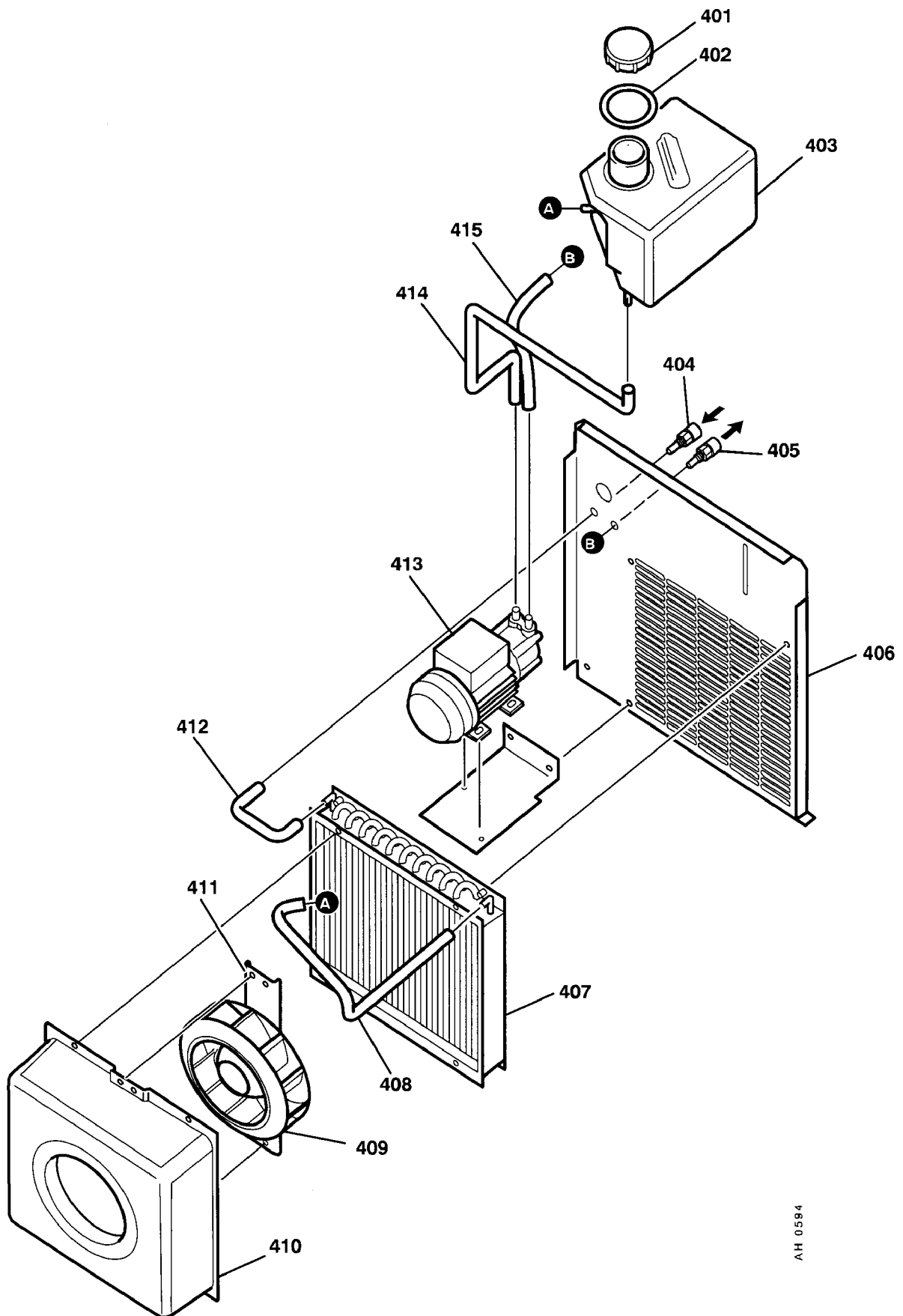
Item	Qty 400	Qty 500	Ordering no.	Denomination	Notes	C
301	1	1	0368 544 005	Sleeve socket	23 pole	
			0323 945 003	Sleeve		
302	1	1	0191 085 206	Capacitor	6uF 400V	
303	1	1	0466 884 006	Connection block	6 pole	
304	1	1	0191 085 203	Capacitor	3uF 400V	
305	1	1		Screw	M10x30	
306	1	-	0469 879 880	Cable set	A=75mm <sup>2</sup>	
	-	1	0469 879 881	Cable set	A=95mm <sup>2</sup>	
307	1	1	0469 950 880	Cable inlet		
308	4	4	0160 362 881	Current terminal	1 pole	
309	2	2	0467 911 882	Capacitor	0.1uF 250V, with cable lugs	
310	1	1	0193 586 102	Circuit breaker	10 A	



**ESABMig 400t/500t****(A) = accessory****C = component designation in the circuit diagram**

<b>Item</b>	<b>Qty t</b>	<b>Qty tw</b>	<b>Ordering no.</b>	<b>Denomination</b>	<b>Notes</b>	<b>C</b>
401	-	1	0469 689 002	Cover		
402	-	1	0366 481 004	Seal		
403	-	1	0469 689 001	Water tank		
404	-	1	0365 803 011	Quick connection	Female, red, with non-return valve	
405	-	1	0365 803 012	Quick connection	Female, blue, with non-return valve	
406	1	1	0349 302 275	Rear panel		
407	-	1	0349 311 701	Cooler		
408	-	1	0349 302 276	Hose	L = 530 mm, to be ordered per metre	
409	1	1	0369 827 001	Fan		
410	1	1	0469 893 001	Fan housing		
411	1	1	0455 165 001	Attachment		
412	-	1	0349 302 277	Hose	L = 350 mm, to be ordered per metre	
413	-	1	0459 288 001	Pump		
414	-	1	0349 302 279	Hose	L = 750 mm, to be ordered per metre	
415	-	1	0349 302 278	Hose	L = 450 mm, to be ordered per metre	





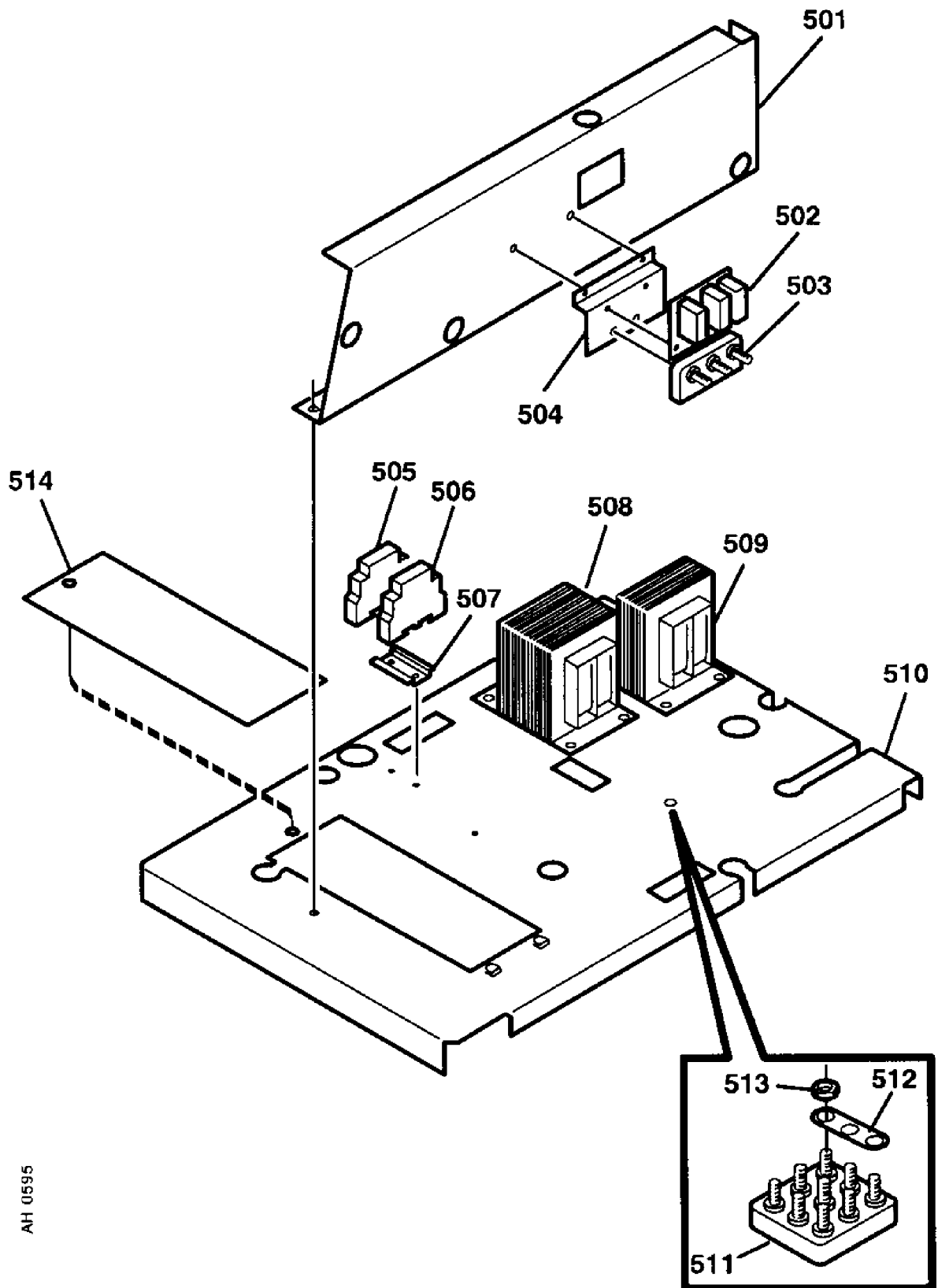
AH 0594

# ESABMig 400t/500t

(A) = accessory

C = component designation in the circuit diagram

Item	Qty	Ordering no.	Denomination	Notes	C
501	1	0349 302 273	Centre plate		
502	1	0486 216 880	Suppressor board		
503	1	0162 772 001	Connection block		
504	1	0469 701 001	Attachment		
505	1	0193 927 001	Contacteur		
506	1	0349 302 274	Contacteur	Only for ESABMig with water	
507	1	0349 302 308	Rail		
508	1	0469 882 001	Control transformer	400-415V mains voltage	
	1	0455 306 001	Control transformer	230-500V mains voltage	
509	1		Transformer (A)		
510	1	0349 302 272	Intermediate plate		
511	1	0469 899 001	Terminal	230-500V mains voltage	
512	1	0457 908 001	Jumper		
513	24		Nut	M8	
514	1	0349 302 298	Cover		



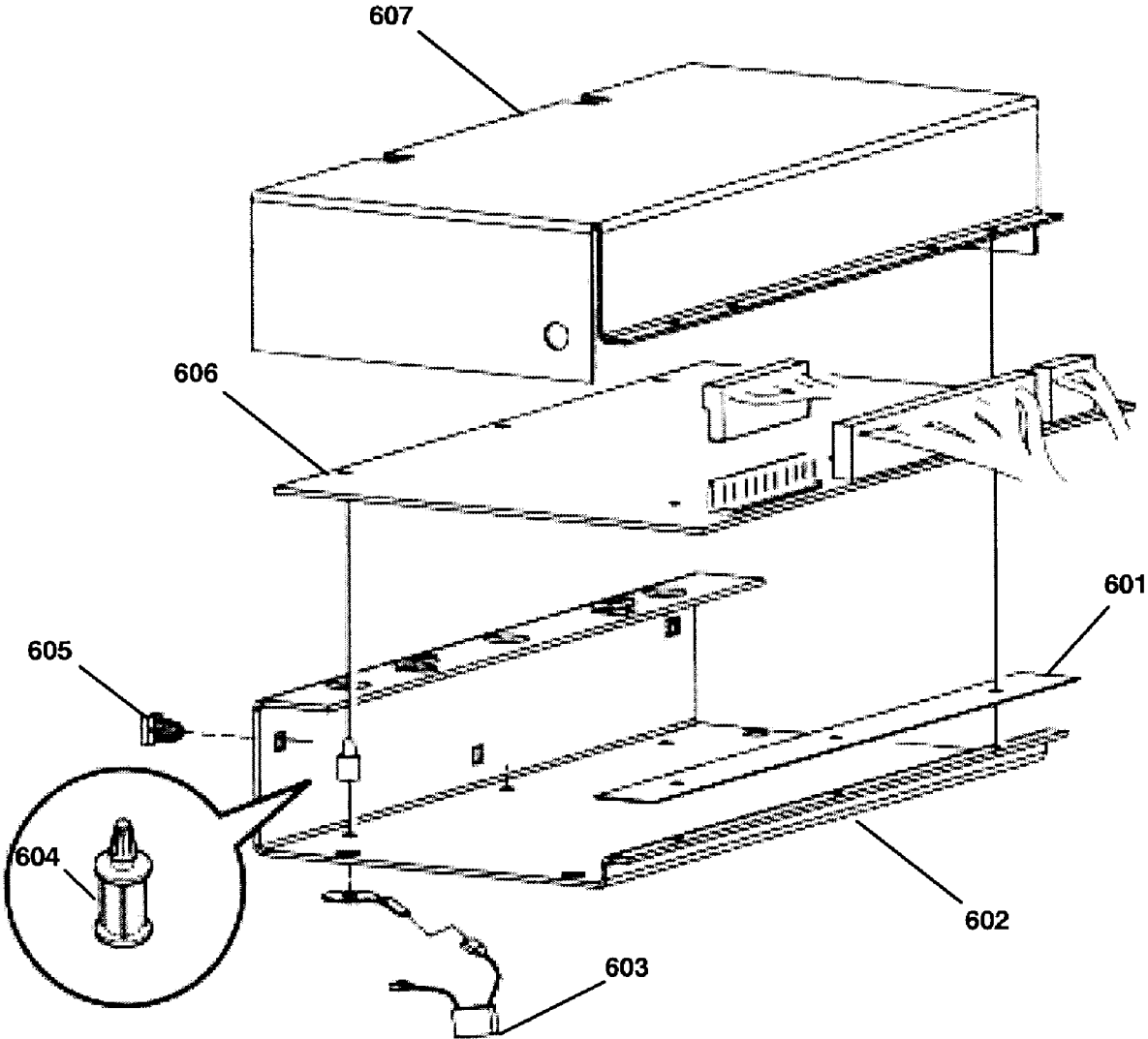
AH 0595

## ESABMig 400t/500t

(A) = accessory

C = component designation in the circuit diagram

Item	Qty	Ordering no.	Denomination	Notes	C
601	1	0191 193 118	Tape	To be ordered per metre, 0.31 metre as delivered	
602	1	0349 302 299	Box		
603	1	0467 911 882	Capacitor	0.1 uF 250V, with cable lugs	
604	3	0394 516 031	Spacer screw	M5	
605	3	0194 019 005	Insulating washer		
	2	0193 517 344	Screw		
606	1	0486 780 880	Circuit board		
607	1	0349 302 300	Cover		



# ESABMig 400t/500t

(A) = accessory

C = component designation in the circuit diagram

Item	Qty 400	Qty 500	Ordering no.	Denomination	Notes	C
701	1	1	0469 878 881	Shunt	60mV/600A	
702	1	1	0469 861 884	Cable set		
703	3	3	0469 693 880	Suppressor	RC filter	
704	3	3		Thyristor module	See item 750. For fitting instructions see the service manual	
				Thermal paste	For fitting of thyristor modules. See item 750.	
705	1	-	0349 302 290	Transformer	230-500V mains voltage	
	-	1	0349 302 291	Transformer	230-500V mains voltage	
	1	-	0349 302 260	Transformer	400-415V mains voltage	
	-	1	0349 302 255	Transformer	400-415V mains voltage	
706	1	-	0349 302 257	Inductor		
	-	1	0349 302 292	Inductor	with thermal switches	
	-	1	0320 655 013	Thermal switch		
707	1	1		Screw	M10x40	
708	4	4		Spring washer	Ø 20/10.2x2	
709	5	5		Washer		
710	1	-	0349 302 270	Inductor	Interphase transformer, with thermal switches	
	-	1	0349 302 271	Inductor	Interphase transformer	
	1	-	0320 655 012	Thermal switch		
711	1	1		Nut	M10	
712	3	3	0160 362 881	Current terminal	1 pole	
713	3	3		Screw	M10x30	
714	1	1		Washer	With flat pin connexion Ø 6.3x0.8, M10	
715	1	1	0349 302 352	Capacitor	0.1 uF 250V, with cable lugs	
716	1	1	0349 302 289	Plate		
717	1	1	0455 217 001	Attachment		

## SPARE PARTS SET

Item	Ordering no.	Denomination	Notes
750	0455 157 880	Thyristor modules	Includes a set of 3 thyristors with screws, washers, spring washers, thermal paste, roller and mounting instruction.
-	0458 910 002	Roller handle	For the roller in the spare parts set above.

